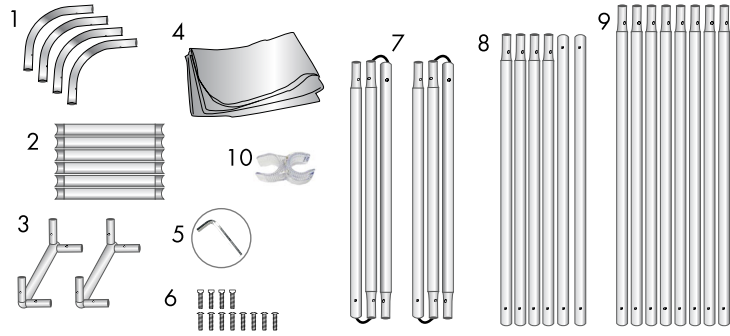


# Eurofit Infinity

## Product Parts

- 1 - Curved Corners (x4)
- 2 - Inside Connectors (x6)
- 3 - Bottom Corners (x2)
- 4 - Graphic
- 5 - Hex Wrench
- 6 - Bolts (x12 Flat Head)
- 7 - 3pc Horizontal Top Poles (x2)
- 8 - Horizontal Bottom Poles (x6)
- 9 - Side Poles (x8)
- 10 - Plastic Hinge Connector



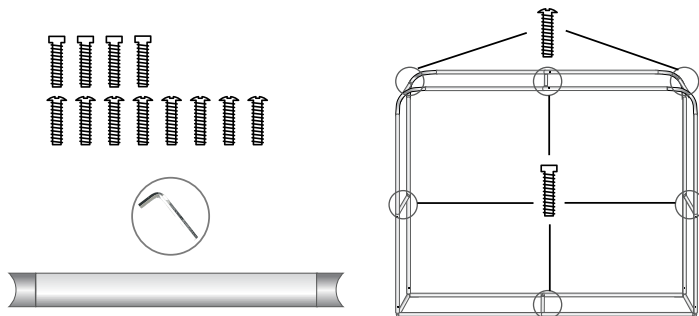
## Display Set-Up

### Step 1

Begin by removing all parts from the carry case and place on a clean, flat surface. Ensure you have all the components listed above.

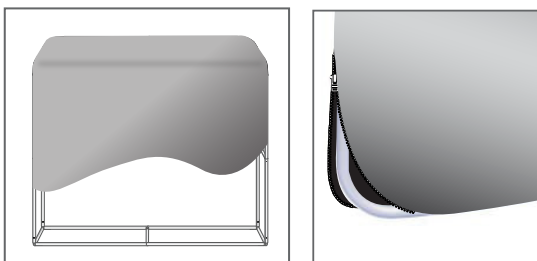
### Step 3

Using the Hex Wrench (5) and Bolts (6) connect the six Inside Connectors (2) to the frame as illustrated below. **Round** head bolts go through corner ends and **flat** head bolts go through sides. \* *DO NOT OVER TIGHTEN*



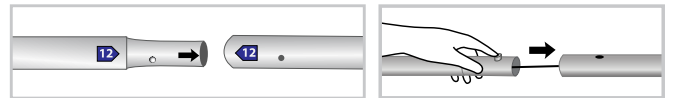
### Step 5

With the zipper at the bottom, drape the Graphic (4) over the hardware and zip closed.



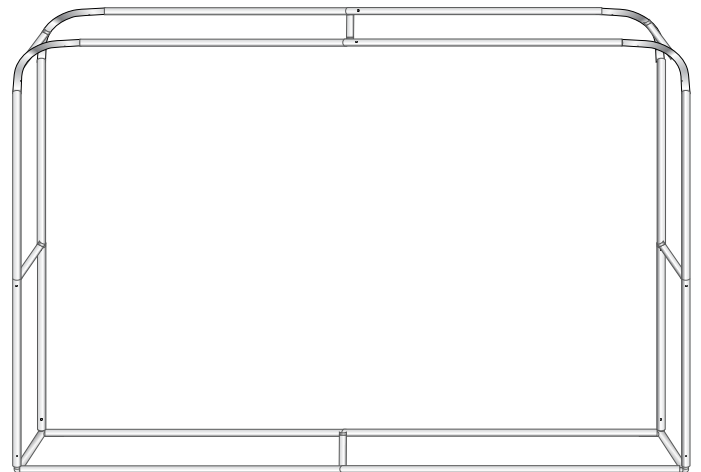
### Step 2

Assemble all the poles by connecting the corresponding numbers together while pressing the snap button as shown.



### Step 4

Your hardware should now look like the image below.



### Plastic Hinge Connector

Used to connect all Eurofit Displays with 1.25" Diameter Poles.



## Storage & Care

Place all product parts into Carry Case and store in a cool dry location. Recommended for indoor use only. Machine wash on gentle cycle using mild detergent. Tumble Dry No Heat. Do NOT dry clean, Do NOT Iron.